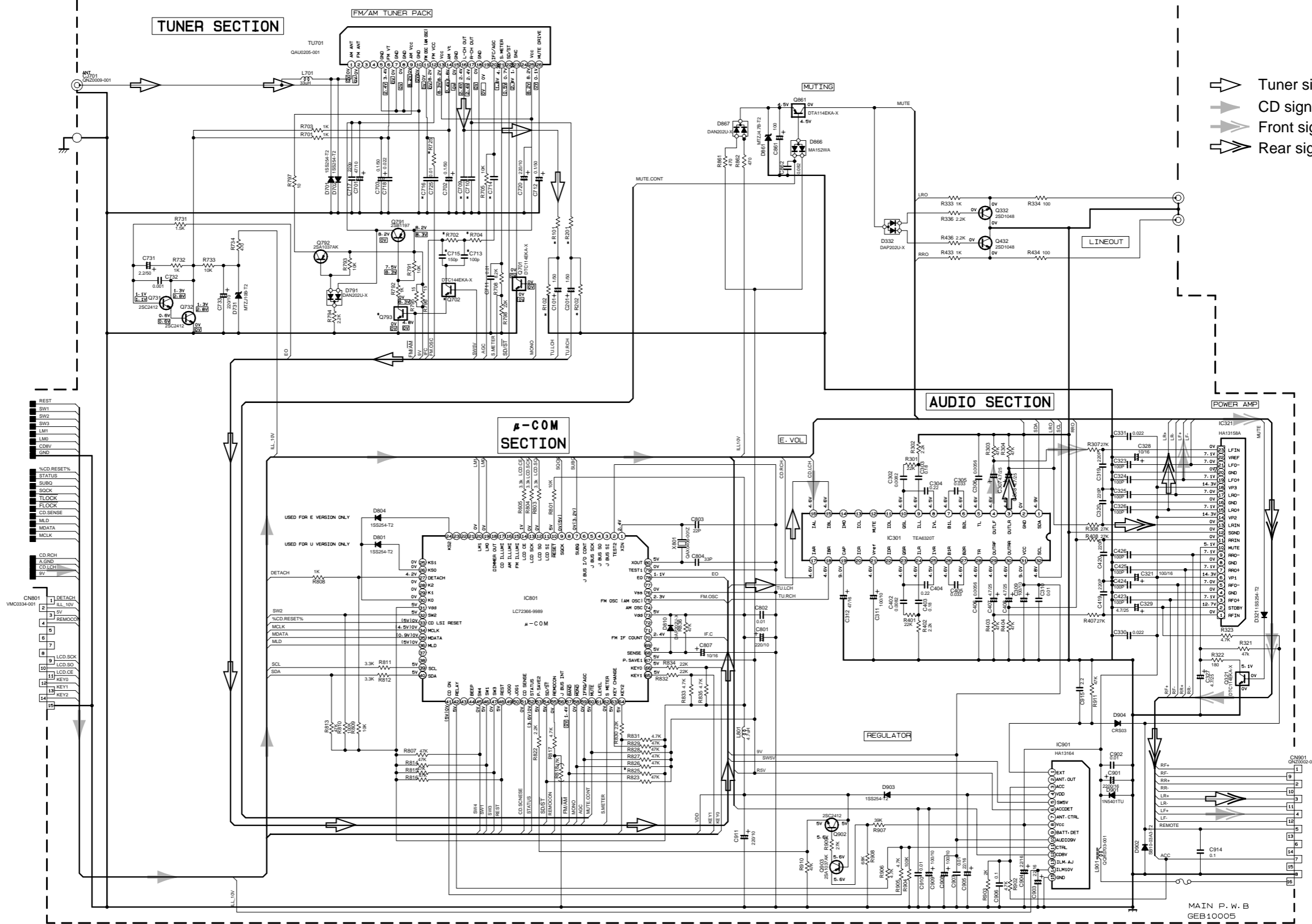


**< MEMO >**

# Standard schematic diagrams

## ■ Main amp. section

5  
4  
3  
2  
1



Tuner signal  
 CD signal  
 Front signal  
 Rear signal

REMARK 1

Part No.	QTY	U	E
C702-C710	0	0	0
R101-R102	0	0	0
R103-R104	0	0	0
R105-R106	0	0	0
R107-R108	0	0	0
R109-R110	0	0	0
R111-R112	0	0	0
R113-R114	0	0	0
R115-R116	0	0	0
R117-R118	0	0	0
R119-R120	0	0	0
R121-R122	0	0	0
R123-R124	0	0	0
R125-R126	0	0	0
R127-R128	0	0	0
R129-R130	0	0	0
R131-R132	0	0	0
R133-R134	0	0	0
R135-R136	0	0	0
R137-R138	0	0	0
R139-R140	0	0	0
R141-R142	0	0	0
R143-R144	0	0	0
R145-R146	0	0	0
R147-R148	0	0	0
R149-R150	0	0	0
R151-R152	0	0	0
R153-R154	0	0	0
R155-R156	0	0	0
R157-R158	0	0	0
R159-R160	0	0	0
R161-R162	0	0	0
R163-R164	0	0	0
R165-R166	0	0	0
R167-R168	0	0	0
R169-R170	0	0	0
R171-R172	0	0	0
R173-R174	0	0	0
R175-R176	0	0	0
R177-R178	0	0	0
R179-R180	0	0	0
R181-R182	0	0	0
R183-R184	0	0	0
R185-R186	0	0	0
R187-R188	0	0	0
R189-R190	0	0	0
R191-R192	0	0	0
R193-R194	0	0	0
R195-R196	0	0	0
R197-R198	0	0	0
R199-R200	0	0	0

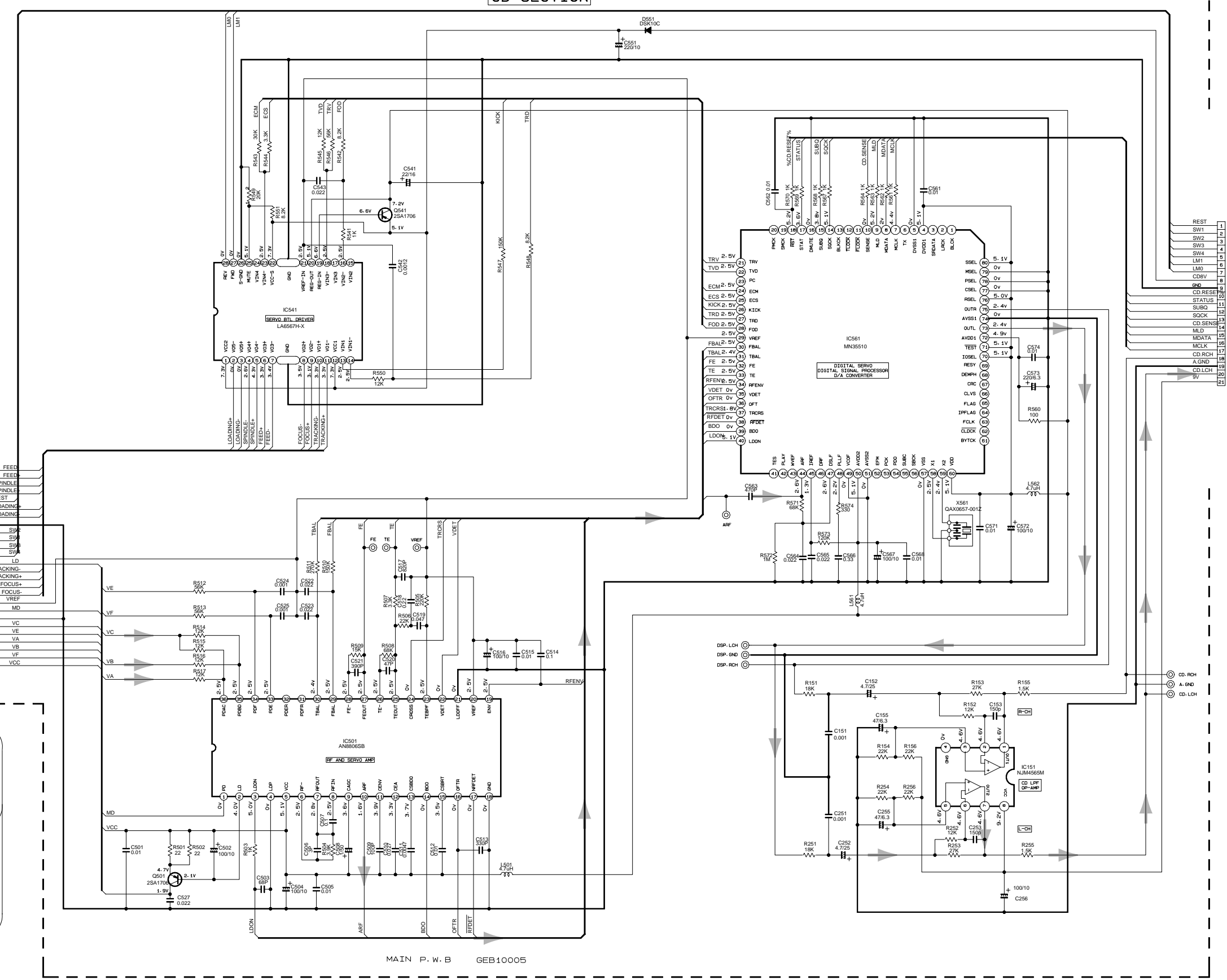
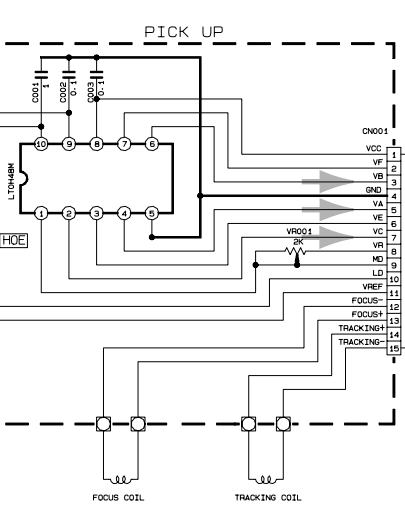
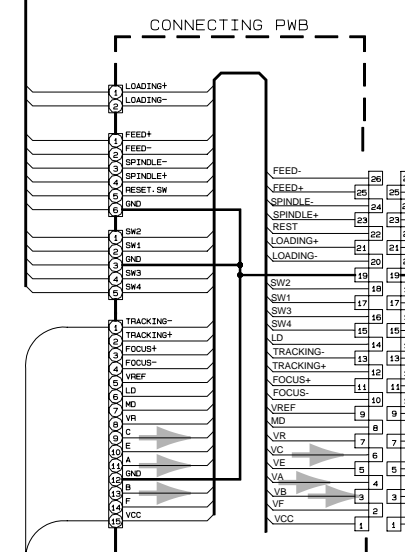
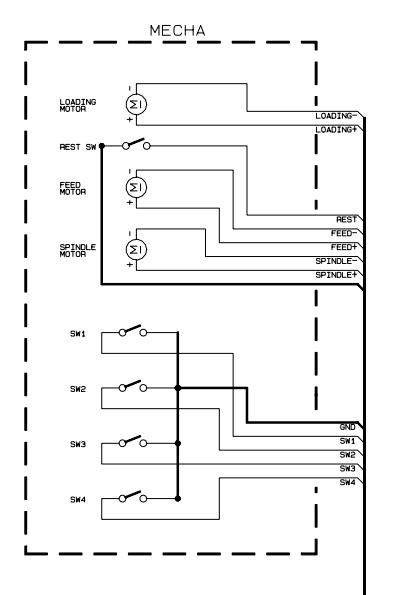
NOTES: VOLTAGE ARE DC-MEASURED WITH A DIGITAL VOLT-METER WITHOUT INPUT SIGNAL CONDITION  
---FM(AM) MODE--- 1 1 CD MODE 1

Note:FSDH3165-005TW / 3165ma

CD servo & control section

CD SECTION

5  
4  
3  
2  
1



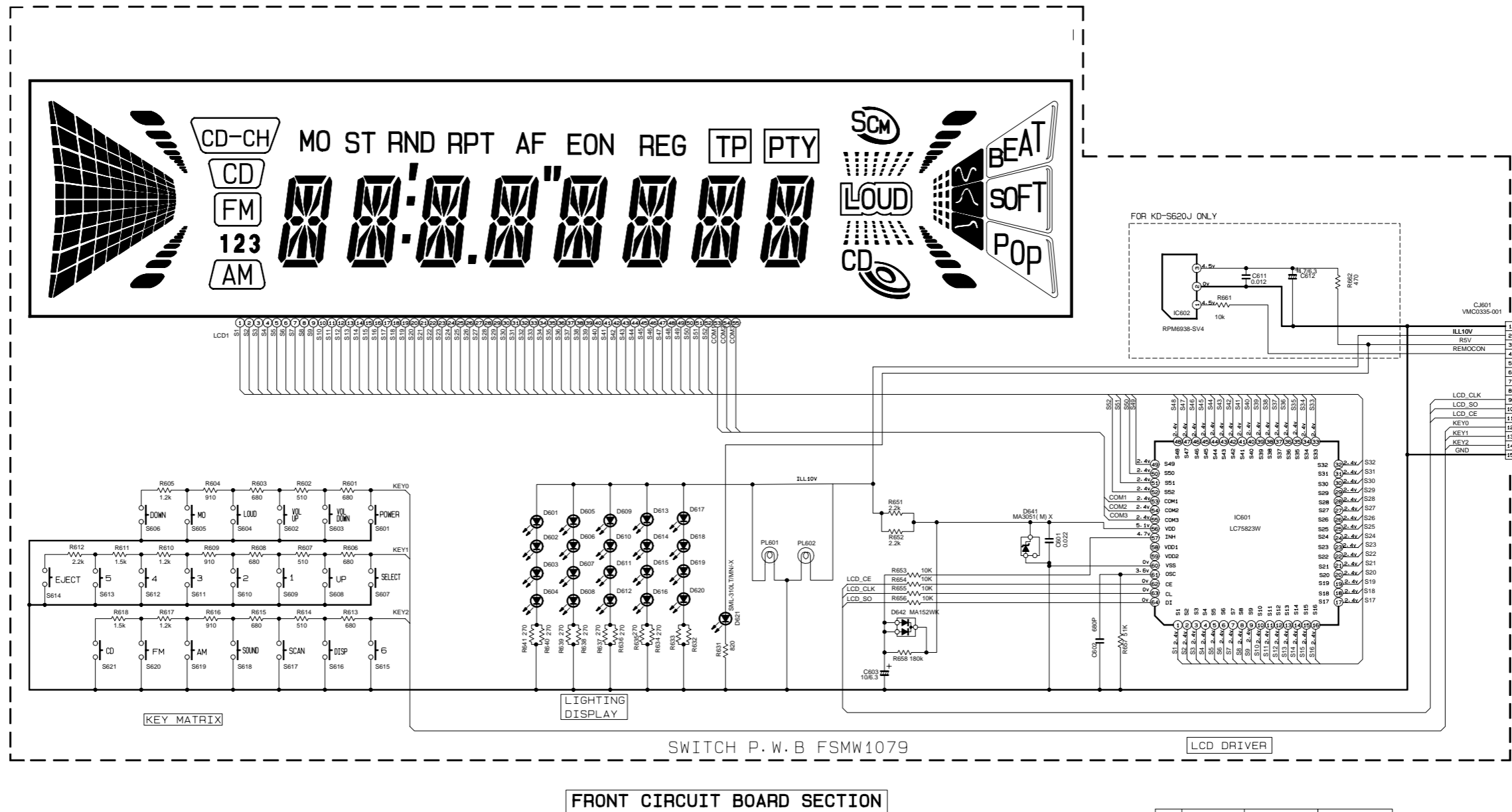
REST	1
SW1	2
SW2	3
SW3	4
SW4	5
LMT	6
LM1	7
CDRV	8
CD RESE	9
STATUS	10
SUBC	11
SOCK	12
CD SENSE	13
MLD	14
MDATA	15
MCLK	16
CD RCH	17
A.GND	18
CD LCH	19
9V	20
CD LCH	21

NOTE 1 VOLTAGE ARE DC-MEASURED WITH DIGITAL VOLTMETER WITHOUT INPUT SIGNAL CONDITION  
-- CD MODE

→ CD signal

A B C 2-4 D E F G H

■ LCD & key control section



FRONT CIRCUIT BOARD SECTION

	KD-S620	KD-S570	KD-S575/KD-S611
PL601	QLL0033-003	QLL0033-003	QLL0056-001
D617			LNJ308081/1-3/X
D618	SML-310V17/UK/-X		
D619			
RE32	NRSAD2J-391X		NRSAD2J-271X
RE33			
LCD1	QLD0161-001		QLD0161-001
D601- D616		LNJ308081/1-3/X	
S601- S611		NSW0124-001X	

NOTE: VOLTAGE ARE DC-MEASURED WITH DIGITAL VOLTMETER WITHOUT INPUT SIGNAL CONDITION

MODEL	SWITCH BOARD
KD-S570J	KD-SWPCB-1
KD-S620J	KD-SWPCB-2
KD-S575U Series/ KD-S611E Series	KD-SWPCB-8

# Printed circuit boards

■ Main board

■ LCD & key control board

5

4

3

2

1

(Forward side)

(Reverse side)

